



Vacuum Circuit-breakers SION 3AE1 ,3AE5 and 3AH5 12-36kV

Vacuum contactors 3TL6 ,3TL8 7,2-12kV

Price List NOV-2017

SION Vacuum Circuit-breakers 3AE1 and 3AE5 7,2-24kV



SIVACON

Technology Partner

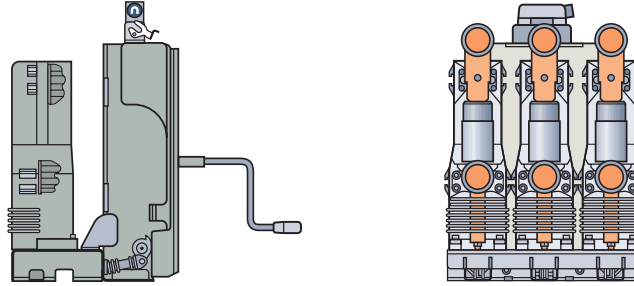
SIEMENS

3AE SION Vacuum Circuit breakers

Standard internal type SION Vacuum Cutter from 7.2kV to 24kV
With its reliable design and user-friendly structure, the 3AE1 and the new 3AE5 compact type SION cutters
It can be used in standard Medium Voltage applications and renewal of existing plants. 10,000 Opening-
The closure feature and economical suitability stand out.
The catalog number E2 / M2 / C2 of this product is HG 11.02.
The IEC62271-100 standard is suitable.

3AE Standard Features

Operating cycle counter
2 position switches for signal closing spring charged
Closing solenoid
1st shunt release 110V DC
Motor operated mechanism 110V DC
Auxiliary switch 12NO+12NC
Breaker tripping signal
64 pole plug connector



Vacuum circuit-breaker without contact arm

Type	Rated Voltage 50/60Hz.Ur (kV)	Rated Normal Current Ir (A)	Rated Short-Circuit Breaking Current Isc (kA)	Pole Center distance mm	Width across flats mm	Order No.	Unit Price THB
3AE	12	800	25	210	310	3AE5184-1AE40-0EN2	456,000
3AE	12	1250	25	210	310	3AE5184-2AE40-0EN2	507,224
3AE	12	2000	25	210	310	3AE1184-4AE40-0EN2	708,827
3AE	12	2500	25	210	310	3AE1184-6AE40-0EN2	789,792
3AE	12	800	31.5	210	310	3AE5185-1AE40-0EN2	495,419
3AE	12	1250	31.5	210	310	3AE5185-2AE40-0EN2	541,323
3AE	12	2000	31.5	210	310	3AE1185-4AE40-0EN2	747,992
3AE	12	2500	31.5	210	310	3AE1185-6AE40-0EN2	809,400
3AE	12	1250	40	210	310	3AE1186-2AE40-0EN2	736,491
3AE	12	2000	40	210	310	3AE1186-4AE40-0EN2	881,955
3AE	12	2500	40	210	310	3AE1186-6AE40-0EN2	936,472
3AE	12	3150	40	210	310	3AE1186-7AE40-0EN2	1,066,837
3AE	17.5	800	25	210	310	3AE5274-1AE40-0EN2	483,157
3AE	17.5	1250	25	210	310	3AE5274-2AE40-0EN2	527,643
3AE	17.5	2000	25	210	310	3AE1284-4AE40-0EN2	747,080
3AE	17.5	2500	25	210	310	3AE1284-6AE40-0EN2	825,056
3AE	17.5	3150	40	210	310	3AE1286-7AE40-0EN2	1,085,128
3AE	24	800	25	210	310	3AE1324-1AE40-0EN2	572,077
3AE	24	1250	25	210	310	3AE1324-2AE40-0EN2	580,640
3AE	24	2000	25	210	310	3AE1324-4AE40-0EN2	757,669
3AE	24	2500	25	210	310	3AE1324-6AE40-0EN2	830,427



By adding -Z at the end of the order number, the following properties can be selected with the cutter.

Necessary Accessoires:	Add Price
F20: Routine Test Report	Include
F30: Hand Crank for manual spring charging	1,500.00
F32: Racking Tool	3,400.00

No additional charge for F20

Example:

VCB Type 3AE 24kV 800A 25kA with routine test report and hand crank manual spring charging

Order Code: 3AE1324-1AE40-0EN2-Z+F20+F30

SION Vacuum Circuit-breakers 3AE1 and 3AE5 7,2-24kV



SIVACON

Technology Partner

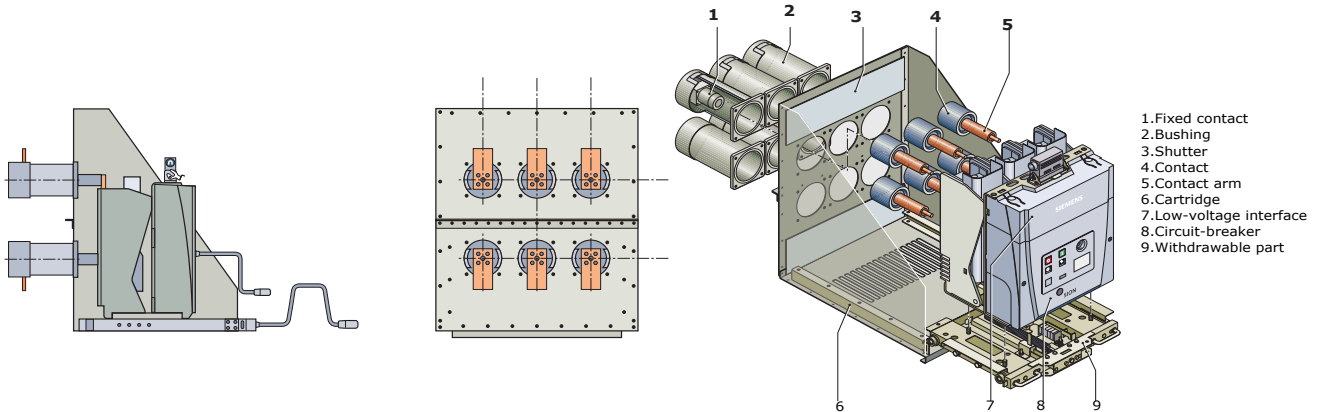
SIEMENS

3AE SION Vacuum Circuit Breaker

Standard internal type SION Vacuum Circuit Breaker from 7.2kV to 24kV
With its reliable design and user-friendly structure, the 3AE1 and the new 3AE5 compact type SION cutters
It can be used in standard Medium Voltage applications and renewal of existing plants. 10,000 Opening-Closing cycles
The closure feature and economical suitability stand out.
The catalog number E2 / M2 / C2 of this product is HG 11.02.
The IEC62271-100 standard is suitable.

3AE Standard Features

Operating cycle counter
2 position switches for signal closing spring charged
Closing solenoid
1st shunt release 110V DC
Motor operated mechanism 110V DC
Auxiliary switch 12NO+12NC
Breaker tripping signal
64 pole plug connector



- 1.Fixed contact
- 2.Bushing
- 3.Shutter
- 4.Contact
- 5.Contact arm
- 6.Cartridge
- 7.Low-voltage interface
- 8.Circuit-breaker
- 9.Withdrawable part

3AE Withdrawable Type VCB

	Rated Voltage 50/60Hz.Ur (kV)	Rated Normal Current Ir (A)	Rated Short-Circuit Breaking Current Isc (kA)	Pole Center distance mm	Width across flats mm	Order No.	Unit Price THB
	12kV	800A	16kA	210	310	3AE5182-1AE40-5EN2	746,120.00
	12kV	1250A	16kA	210	310	3AE5182-2AE40-5EN2	794,400.00
	12kV	800A	20kA	210	310	3AE5183-1AE40-5EN2	774,600.00
	12kV	1250A	20kA	210	310	3AE5183-2AE40-5EN2	825,815.00
	12kV	800A	25kA	210	310	3AE5184-1AE40-5EN2	814,720.00
	12kV	1250A	25kA	210	310	3AE5184-2AE40-5EN2	866,250.00
	12kV	1600A	25kA	210	310	3AE5184-3AE40-5EN2	952,080.00
	12kV	2000A	25kA	210	310	3AE1184-4AE40-5EN2	1,078,600.00
	12kV	2500A	25kA	210	310	3AE1184-6AE40-5EN2	1,159,560.00
	12kV	800A	31.5kA	210	310	3AE5185-1AE40-5EN2	854,450.00
	12kV	1250A	31.5kA	210	310	3AE5185-2AE40-5EN2	900,350.00
	12kV	1600A	31.5kA	210	310	3AE5185-3AE40-5EN2	987,850.00
	12kV	2000A	31.5kA	210	310	3AE1185-4AE40-5EN2	1,117,760.00
	12kV	2500A	31.5kA	210	310	3AE1185-6AE40-5EN2	1,179,170.00
	12kV	1250A	40kA	210	310	3AE1186-2AE40-5EN2	1,106,260.00
	12kV	2000A	40kA	210	310	3AE1186-4AE40-5EN2	1,251,720.00
	12kV	2500A	40kA	210	310	3AE1186-6AE40-5EN2	1,306,240.00
	12kV	3150A	40kA	210	310	3AE1186-7AE40-5EN2	1,436,600.00
	24kV	800A	25kA	275	310	3AE5354-1AE40-5EN2	960,690.00
	24kV	1250A	25kA	275	310	3AE5354-2AE40-5EN2	969,000.00
	24kV	2000A	25kA	275	310	3AE1354-4AE40-5EN2	1,175,010.00
	24kV	2500A	25kA	275	310	3AE1354-6AE40-5EN2	1,247,770.00

By adding -Z at the end of the order number, the following properties can be selected with the cutter.

Necessary Accessoires:	Add Price
F20: Routine Test Report	Include
F30: Hand Crank for manual spring charging	1,500.00
F32: Racking Tool	3,400.00

No additional charge for F20

Example:

VCB Type 3AE 24kV 800A 25kA with routine test report and hand crank manual spring charging

Order Code: 3AE5354-1AE40-5EN2-Z+F20+F30

SION Vacuum Circuit-breakers

3AE1 and 3AE5 7,2-24kV

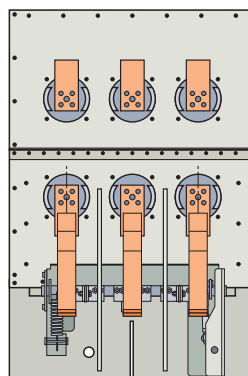
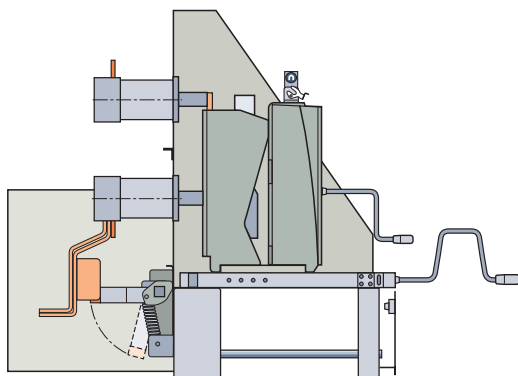


3AE SION Vacuum Circuit Breaker


Standard internal type SION Vacuum Circuit Breaker from 7.2kV to 24kV
 With its reliable design and user-friendly structure, the 3AE1 and the new 3AE5 compact type SION cutters
 It can be used in standard Medium Voltage applications and renewal of existing plants. 10,000 Opening-
 The closure feature and economical suitability stand out.
 The catalog number E2 / M2 / C2 of this product is HG 11.02.
 The IEC62271-100 standard is suitable.

3AE Standard Features

- Operating cycle counter
- 2 position switches for signal closing spring charged
- Closing solenoid
- 1st shunt release 110V DC
- Motor operated mechanism 110V DC
- Auxiliary switch 12NO+12NC
- Breaker tripping signal
- 64 pole plug connector



3AE Withdrawable with Earthing Switch

	Rated Voltage 50/60Hz Ur (kV)	Rated Normal Current Ir (A)	Rated Short-Circuit Breaking Current Isc (kA)	Pole Center distance mm	Width across flats mm	Order No.	Unit Price THB
	12kV	800	16kA	210	310	3AE5182-1AE40-6EN2	1,021,340.00
	12kV	1250	16kA	210	310	3AE5182-2AE40-6EN2	1,069,625.00
	12kV	800	20kA	210	310	3AE5183-1AE40-6EN2	1,049,820.00
	12kV	1250	20kA	210	310	3AE5183-2AE40-6EN2	1,101,040.00
	12kV	800	25kA	210	310	3AE5184-1AE40-6EN2	1,090,250.00
	12kV	1250	25kA	210	310	3AE5184-2AE40-6EN2	1,141,470.00
	12kV	1600	25kA	210	310	3AE5184-3AE40-6EN2	1,227,300.00
	12kV	2000	25kA	210	310	3AE1184-4AE40-6EN2	1,362,025.00
	12kV	2500	25kA	210	310	3AE1184-6AE40-6EN2	1,442,990.00
	12kV	800	31.5kA	210	310	3AE5185-1AE40-6EN2	1,129,670.00
	12kV	1250	31.5kA	210	310	3AE5185-2AE40-6EN2	1,175,570.00
	12kV	1600	31.5kA	210	310	3AE5185-3AE40-6EN2	1,263,070.00
	12kV	2000	31.5kA	210	310	3AE1185-4AE40-6EN2	1,401,190.00
	12kV	2500	31.5kA	210	310	3AE1185-6AE40-6EN2	1,462,600.00
	12kV	1250	40kA	210	310	3AE1186-2AE40-6EN2	1,389,685.00
	12kV	2000	40kA	210	310	3AE1186-4AE40-6EN2	1,535,150.00
	12kV	2500	40kA	210	310	3AE1186-6AE40-6EN2	1,589,670.00
	12kV	3150	40kA	210	310	3AE1186-7AE40-6EN2	1,720,050.00
	24kV	800	25kA	275	310	3AE5354-1AE40-6EN2	1,235,400.00
	24kV	1250	25kA	275	310	3AE5354-2AE40-6EN2	1,243,720.00
	24kV	2000	25kA	275	310	3AE1354-4AE40-6EN2	1,457,990.00
	24kV	2500	25kA	275	310	3AE1354-6AE40-6EN2	1,530,750.00

By adding -Z at the end of the order number, the following properties can be selected with the cutter.

Necessary Accessoires:	Add Price
F20: Routine Test Report	Include
F30: Hand Crank for manual spring charging	1,500.00
F32: Racking Tool	3,400.00
F34: Operation Handle for Earthing Switch	6,800.00

No additional charge for F20

Example:

VCB Type 3AE 24kV 800A 25kA with routine test report and hand crank manual spring charging

Order Code: 3AE5354-1AE40-6EN2-Z+F20+F30

3AH5 Vacuum Circuit-breakers from 12 to 36 kV



3AH5 Vacuum Circuit-Breaker

Standard Economical 3AH5 Vacuum Cutters from 12kV to 36kV, with 10,000 On-Off Lifespan and Maintenance It does not require

Internal type suitable for general use 3AH5 cutters, Medium Voltage Overhead Line, Cables, Transformers, Generators, Capacitors, Filter Circuits, Motors and Reactors.

but suited for industrial needs with large nominal currents.
E2 / M2 / C2 catalog number of this product HG The IEC62271-100 standard is suitable

3AH5 Standard Features

- Operating cycle counter
- 2 position switches for signal closing spring charged
- Closing solenoid
- 1st shunt release 110V DC
- Motor operated mechanism 110V DC
- Auxiliary switch 12NO+12NC
- Breaker tripping signal
- 64 pole plug connector



3AH5 Vacuum Circuit-Breaker

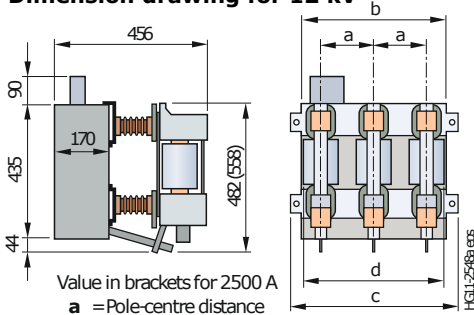
Type	Rated Voltage 50/60Hz Ur kV	Rated Normal Current Ir A	Rated Short Circuit breaking Current Isc kA	Pole-centre distance	Order No.	Unit Price (THB)
3AH5	12	800	25	pole-centre distance 210mm Auxiliary Voltage 110 VDC	3AH5154-1ME40-5EM2	541,950.00
3AH5	12	1250	25		3AH5154-2ME40-5EM2	598,250.00
3AH5	12	1250	31.5		3AH5135-2ME40-5EM2	635,850.00
3AH5	17.5	800	25		3AH5214-1ME40-5EM2	571,750.00
3AH5	36	1250	16	Polar spacing 350mm Auxiliary Voltage 110 VDC	3AH5312-2ME40-5EM2	905,495.00
3AH5	36	1250	25		3AH5314-2ME40-5EM2	1,181,500.00
3AH5	36	2000	25		3AH5314-4ME40-5EM2	1,342,850.00

Option

By adding -Z at the end of the order number, the following properties can be selected with the cutter. Brief for low voltage bobbin

- F20 Routine Test Report
- F30 Hand crank for manual charging of the closing spring

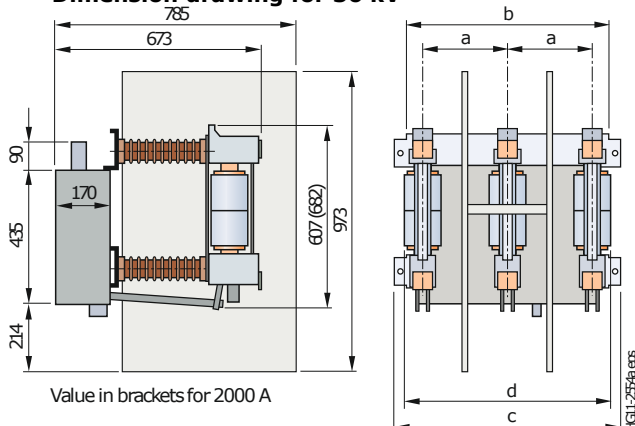
Dimension drawing for 12 kV



- Value in brackets for 2500 A
- a = Pole-centre distance
 - b = Width of cross member
 - c = Width of cross member incl. lugs
 - d = Largest energized width

Dimension drawing	a mm	b mm	c mm	d mm
1.1	160	432	490	392
1.2	210	534	592	492
1.3	160	432	490	409
1.4	210	534	592	509
1.5	160	432	490	422
1.6	210	534	592	539
1.7	210	534	592	522
1.8	160	432	490	405
1.9	210	534	592	505

Dimension drawing for 36 kV



Value in brackets for 2000 A

Dimension drawing	a mm	b mm	c mm	d mm
4.1	275	650	708	668
4.2	350	810	868	818

- a = Pole-centre distance
- b = Width of cross member
- c = Width of cross member incl. lugs
- d = Largest energized width

3TL6 and 3TL8 Vacuum Contactors up to 12 kV



3TL6 Vacuum Contactor

Standard:

3TL vacuum contactors are designed in open construction, with degree of protection IP00 according to IEC 60529 and DIN EN 60529.



Type	Rated Voltage 50/60Hz. Ur (kV)	Rated Normal Current Ir (A)	Rated Short-Circuit Breaking Current Isc (kA)	Auxiliary Contacts	DC Operation Voltage	AC Operation Voltage	Order No.	Unit Price (THB)
3TL6	7.2	450	8kA	6NO+5NC	110VDC	----	3TL6123-0BF4-ZF20	460,400.00
					220VDC	----	3TL6123-0BM4-ZF20	460,400.00
					----	110V AC 50/60Hz.	3TL6123-0AG2-ZF20	460,400.00
					----	230V AC 50/60Hz.	3TL6123-0AL2-ZF20	460,400.00
Switching rate : 3TL61 @ 1200 operating cycles/hours Contactor mechanical endurance 3.0 million. Vacuum interrupter electrical endurance 1.0 million.								
3TL6	12	400	8kA	6NO+5NC	110VDC	----	3TL6525-0BF4-ZF20	648,450.00
					220VDC	----	3TL6525-0BM4-ZF20	648,450.00
					----	110V AC 50/60Hz.	3TL6525-0AG2-ZF20	648,450.00
					----	230V AC 50/60Hz.	3TL6525-0AL2-ZF20	648,450.00
Switching rate : 3TL65 @ 600 operating cycles/hours Contactor mechanical endurance 1.0 million. Vacuum interrupter electrical endurance 0.5 million.								

3TL8 Vacuum Contactor

Feature :

Switching rate : 3TL81 @ 1200 operating cycles/hours
Contactor mechanical endurance 1.0 million.
Vacuum interrupter mechanical endurance 0.25 million.
Vacuum interrupter electrical endurance 0.25 million.

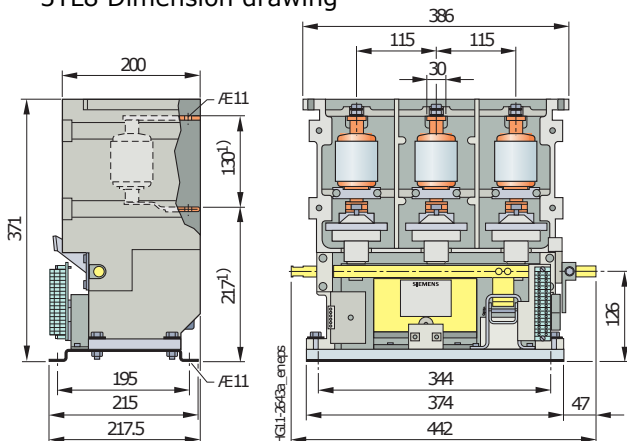
Standard:

3TL vacuum contactors are designed in open construction, with degree of protection IP00 according to IEC 60529 and DIN EN 60529.



Type	Rated Voltage 50/60Hz. Ur (kV)	Rated Normal Current Ir (A)	Rated Short-Circuit Breaking Current Isc (kA)	Auxiliary Contacts	Operating voltage for magnet coil Voltage	Order No.	Unit Price (THB)
3TL8	7.2	400	8kA	4NO+4NC	110V to 250V AC/DC with mechanical closing latch releasing voltage 110VDC	3TL8100-3BF55	247,350.00
					110VDC	latch 30ms to 50 ms	-
3TL8	7.2	400	8kA	4NO+4NC	110V to 250V AC/DC without mechanical closing latch 250ms to 400ms (325+/-75ms)	3TL8100-1BA05	247,350.00

3TL8 Dimension drawing



3TL6 Dimension Drawing

